

Bridge Amplifier for Strain Gage Full Bridge DABU AD2T-FB

Features

- Industrial bridge amplifier for S/G full bridge
- For cyclical and static applications with reset function
- Voltage output
- Protection class IP 65
- Analog signal path



Electrical Data

Output signal	± 10 V calibrated (max. ± 12 V)
Characteristic curve deviation	$< 0,2\%$
Supply voltage range	18 - 33 VDC
Current draw	< 60 mA < 40 mA @ 24 VDC
Bridge excitation	approx. 7 VDC
S/G bridge resistance	350Ω (R_C)
Output impedance	22Ω
Tare accuracy	$0.25 < 15$ mV $0.50 < 10$ mV $1.00 < 5$ mV $2.00 < 5$ mV
Reset input	active 5 - 33 VDC < 2 mA inactive < 1 VDC
Tare range	± 6 mV/V
Reset puls	> 1 ms
Reset settle time	< 5 ms
Frequency range (-3 dB)	1'000 Hz
Signal polarity	Bipolar
Noise	(0 ... 5 kHz) $0.25 < 15$ mV _{pp} $0.50 < 7,5$ mV _{pp} $1.00 < 5$ mV _{pp} $2.00 < 5$ mV _{pp}

Mechanical Data

Control connection	5 pin male (Series 713)
Sensor connection	4 pin female (Series 712)
Enclosure	aluminum anodised

Environmental Conditions

Operating temp. range	$-25...+85$ °C
Specified temp. range	$0...+70$ °C
Storage temperature	$-40...+100$ °C
Protection class	IP 65
EMC	EN 61000-6-2 Immunity EN 61000-6-3 Emission

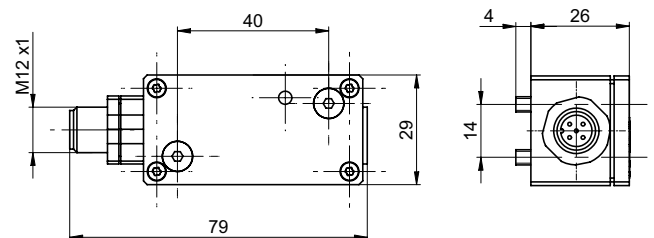
Order Code

DABU AD2T-FB

Gain

0.50	0,50 mV/V = 0 - 10 V
1.00	1,00 mV/V = 0 - 10 V
1.25	1,25 mV/V = 0 - 10 V
2.00	2,00 mV/V = 0 - 10 V

Dimensions (mm)



Delivery Contents

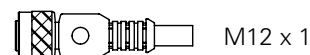
- Mounting screw 2 pcs. M4 x 30

Accessories (not included in delivery)



Series 713

Connector female, control side, 5-pin, Part No. 10135462
max. cable length 10 m



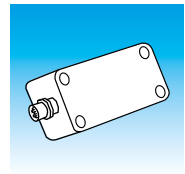
M12 x 1

Connector female with cable, control side, 5-pin

ESG 34CH0200G 5-pin (shielded) 2 m, PUR,
(Part No. 11046264)

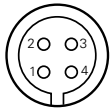
ESG 34CH0500G 5-pin (shielded) 5 m, PUR,
(Part No. 11046266)

ESG 34CH1000G 5-pin (shielded) 10 m, PUR,
(Part No. 10155587)



Electrical Connection

Sensor side Series 712



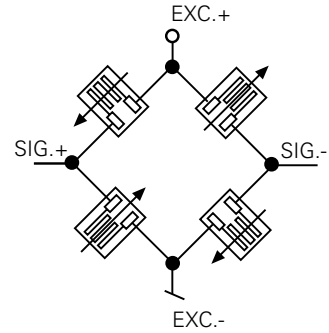
Pin	Signal
1	Full bridge EXC.+
2	Full bridge SIG.-
3	Full bridge SIG.+
4	Full bridge EXC.-

Control side Series 713

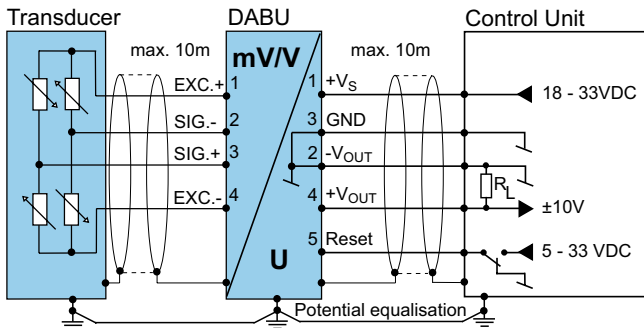


Pin number	Signal
1	+Vs
2	-V _{OUT}
3	GND
4	+V _{OUT}
5	Reset

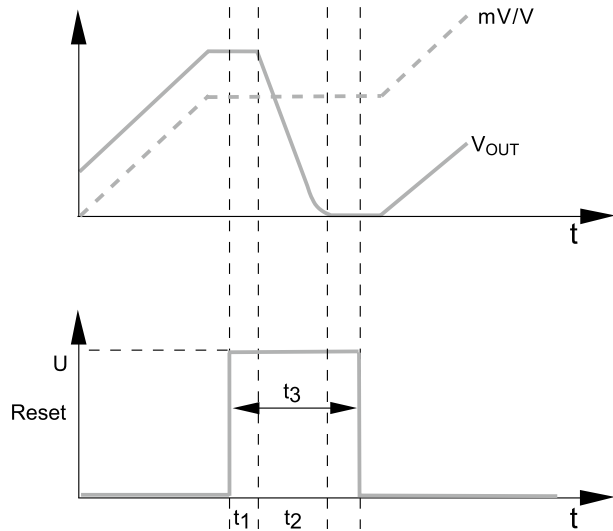
S/G Bridge



Control



Reset Function



V _{OUT}	Output signal
mV/V	Input signal
Reset	Reset input (active high)
t ₁	Reset delay (< 0,3 ms)
t ₂	Reset time (< 5 ms)
t ₃	Reset impuls (> 1 ms)